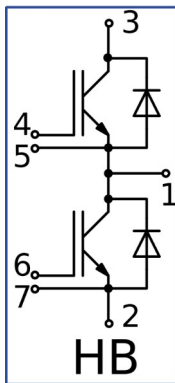
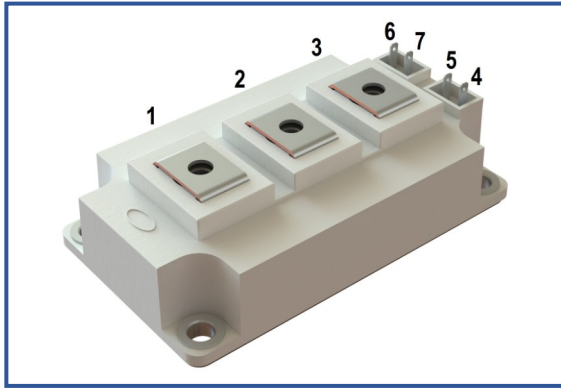


Industry standard 62mm IGBT module

1700 V 300 A



### Chip features

- IGBT chip
  - low  $V_{CE(sat)}$  value
  - 10  $\mu s$  short circuit of 150°C
  - square RBSOA of 2xI<sub>C</sub>
  - low EMI
- FRD chip
  - fast and soft reverse recovery
  - low voltage drop

### Design features

- copper baseplate
- Al<sub>2</sub>O<sub>3</sub> DBC substrate
- ultrasonically welded power terminals
- Improved thermal cycling
- RoHS compliant

### Typical application

- AC motor drives
- solar inverter
- air conditioning
- high power converters and UPS

### Maximum rated values

Definition	Symbol	Conditions	Value	Unit
<b>IGBT</b>				
Collector-Emitter voltage	$V_{CES}$	$V_{GE} = 0$ .	1700	V
Maximum allowable collector current (continuous)	$I_{C 25}$	$T_{vj(max)} = 175^{\circ}C; T_c = 25^{\circ}C$ .	-	A
	$I_{C 80}$	$T_{vj(max)} = 175^{\circ}C; T_c = 80^{\circ}C$ .	300	A
Repetitive peak collector current*1	$I_{CRM}$	$I_{CRM} = 2 \times I_{C nom}; t_p = 1 ms$ .	600	A
Short-circuit duration	$t_{psc}$	$T_{vj} = 25^{\circ}C; V_{GE} = \pm 15 V; V_{CE} = 700 V;$ $R_{G on} = R_{G off} = 2.2 \Omega; I_{Cmax} < 1700 A$ .	10	$\mu s$
		$T_{vj} = 150^{\circ}C; V_{GE} = \pm 15 V; V_{CE} = 700 V;$ $R_{G on} = R_{G off} = 2.2 \Omega; I_{Cmax} < 1400 A$ .	10	
Gate-Emitter voltage	$V_{GES}$		$\pm 20$	V
Junction operating temperature	$T_{vj(op)}$		-40...+150	°C
<b>Inverse diode \ Freewheeling diode</b>				
Repetitive peak reverse voltage	$V_{RRM}$	$V_{GE} = 0 V$ .	1700	V
Maximum allowable forward current (continuous)	$I_{F 25}$	$T_{vj(max)} = 175^{\circ}C; T_c = 25^{\circ}C$ .	-	A
	$I_{F 80}$	$T_{vj(max)} = 175^{\circ}C; T_c = 80^{\circ}C$ .	300	A
Repetitive peak forward current*1	$I_{FRM}$	$I_{FRM} = 2 \times I_{F nom}; t_p = 1 ms$ .	600	A
Junction operating temperature	$T_{vj(op)}$		-40...+150	°C
<b>Module</b>				
Storage temperature	$T_{stg}$		-40...+50	°C
Isolation voltage	$U_{isol}$	AC sin 50 Hz; t = 1 min.	4000	V

\*1 Pulse width and repetition rate should be such that device junction temperature does not exceed maximum  $T_{vj}$  rating.

**Characteristics**

Definition	Symbol	Conditions	Value			Unit.		
			min.	typ.	max.			
<b>IGBT</b>								
Collector-Emitter saturation voltage	$V_{CEsat}$	$V_{GE} = +15\text{ V}; I_C = 300\text{ A};$ $t_u = 1000\text{ }\mu\text{s}.$	$T_{vj} = 25^\circ\text{C}$	-	2.40	-	V	
			$T_{vj} = 150^\circ\text{C}$	-	2.90	-	V	
Gate-Emitter threshold voltage	$V_{GE(th)}$	$I_C = 12\text{ mA}; V_{CE} = V_{GE}; T_{vj} = 25^\circ\text{C};$ $t_u = 2\text{ ms}.$		4.50	-	6.50	V	
Collector-Emitter cut-off current	$I_{CES}$	$V_{CE} = 1700\text{ V};$ $t_u = 50\text{ ms}; V_{GE} = 0.$	$T_{vj} = 25^\circ\text{C}$	-	-	200	$\mu\text{A}$	
			$T_{vj} = 150^\circ\text{C}$	-	5.00	-	mA	
Gate-Emitter leakage current	$I_{GES}$	$V_{CE} = 0; V_{GE} = \pm 20\text{ V}; T_{vj} = 25^\circ\text{C};$ $t_u = 30\text{ ms}.$		-	-	500	nA	
Input capacitance	$C_{ies}$	$V_{CE} = 25\text{ V}; V_{GE} = 0\text{ V};$ $f = 1\text{ MHz}; T_{vj} = 25^\circ\text{C}.$		-	18.30	-	nF	
Reverse transfer capacitance	$C_{res}$			-	0.72	-	nF	
Total gate charge	$Q_G$	$I_C = 300\text{ A}; V_{CE} = 920\text{ V};$ $V_{GE} = -15\dots+15\text{ V}.$		-	2100	-	nC	
Internal gate resistance	$R_{Gint}$	$T_{vj} = 25^\circ\text{C}.$		-	2.35	-	$\Omega$	
Turn-on delay time	$t_{d(on)}$	$V_{CE} = 920\text{ V};$ $V_{GE} = \pm 15\text{ V};$ $I_{Cmax} = 300\text{ A};$ $R_G = 2.2\text{ }\Omega;$ $L_s = 56\text{ nH}.$	$T_{vj} = 25^\circ\text{C}$	-	275	-	ns	
			$T_{vj} = 150^\circ\text{C}$	-	300	-	ns	
Rise time	$t_{ri}$		$T_{vj} = 25^\circ\text{C}$	-	115	-	ns	
			$T_{vj} = 150^\circ\text{C}$	-	120	-	ns	
Turn-on energy	$E_{on}$		$T_{vj} = 25^\circ\text{C}$	-	80.0	-	mJ	
			$T_{vj} = 150^\circ\text{C}$	-	110.0	-	mJ	
Turn-off delay time	$t_{d(off)}$		$T_{vj} = 25^\circ\text{C}$	-	400	-	ns	
			$T_{vj} = 150^\circ\text{C}$	-	550	-	ns	
Fall time	$t_{fi}$		$T_{vj} = 25^\circ\text{C}$	-	160	-	ns	
			$T_{vj} = 150^\circ\text{C}$	-	170	-	ns	
Turn-off energy	$E_{off}$	$T_{vj} = 25^\circ\text{C}$	-	58.0	-	mJ		
		$T_{vj} = 150^\circ\text{C}$	-	94.0	-	mJ		
Collector-emitter threshold voltage	$V_{CE0}$	$V_{GE} = +15\text{ V}; T_{vj} = 150^\circ\text{C};$		-	-	-	V	
On-State slope resistance (IGBT)	$r_{CE0}$	$I_{CE1} = 75\text{ A}; I_{CE2} = 300\text{ A};$ $t_u = 1000\text{ }\mu\text{s}.$		-	-	-	m $\Omega$	
Thermal resistance junction to case	$R_{th(j-c)}$	DC; $I_{CE} = 220 \pm 10\text{ A}; I_{test} = 1.0\text{ A};$ $V_{GE} = +15\text{ V}.$		-	-	0.110	K/W	
<b>Inverse diode \ Freewheeling diode</b>								
Forward voltage drop	$V_F$	$I_F = 300\text{ A};$ $V_{GE} = 0; t_u = 1000\text{ }\mu\text{s}.$	$T_{vj} = 25^\circ\text{C}$	-	1.80	-	V	
			$T_{vj} = 150^\circ\text{C}$	-	1.95	-	V	
Reverse recovery time	$t_{rr}$	$V_{CE} = 920\text{ V};$ $V_{GE} = \pm 15\text{ V};$ $I_{Cmax} = 300\text{ A};$ $R_{Gon} = 2.2\text{ }\Omega;$ $L_s = 56\text{ nH}.$	$T_{vj} = 25^\circ\text{C}$	-	650	-	ns	
			$T_{vj} = 150^\circ\text{C}$	-	865	-	ns	
Peak reverse current	$I_{RM}$		$T_{vj} = 25^\circ\text{C}$	-	335	-	A	
			$T_{vj} = 150^\circ\text{C}$	-	425	-	A	
Recovered charge	$Q_r$		$T_{vj} = 25^\circ\text{C}$	-	86.0	-	$\mu\text{C}$	
			$T_{vj} = 150^\circ\text{C}$	-	160.0	-	$\mu\text{C}$	
Reverse recovery energy	$E_{rec}$		$T_{vj} = 25^\circ\text{C}$	-	50.0	-	mJ	
			$T_{vj} = 150^\circ\text{C}$	-	90.0	-	mJ	
Threshold voltage	$V_{(T0)}$		$T_{vj} = 150^\circ\text{C}; V_{GE} = 0; I_{CE1} = 75\text{ A};$		-	-	-	V
Forward slope resistance	$r_T$		$I_{CE2} = 300\text{ A}; t_u = 1000\text{ }\mu\text{s}$		-	-	-	m $\Omega$
Thermal resistance junction to case	$R_{th(jc-D)}$	DC; $I_{CE} = 200 \pm 10\text{ A}; I_{test} = 1.0\text{ A};$ $V_{GE} = +15\text{ V}.$		-	-	0.180	K/W	

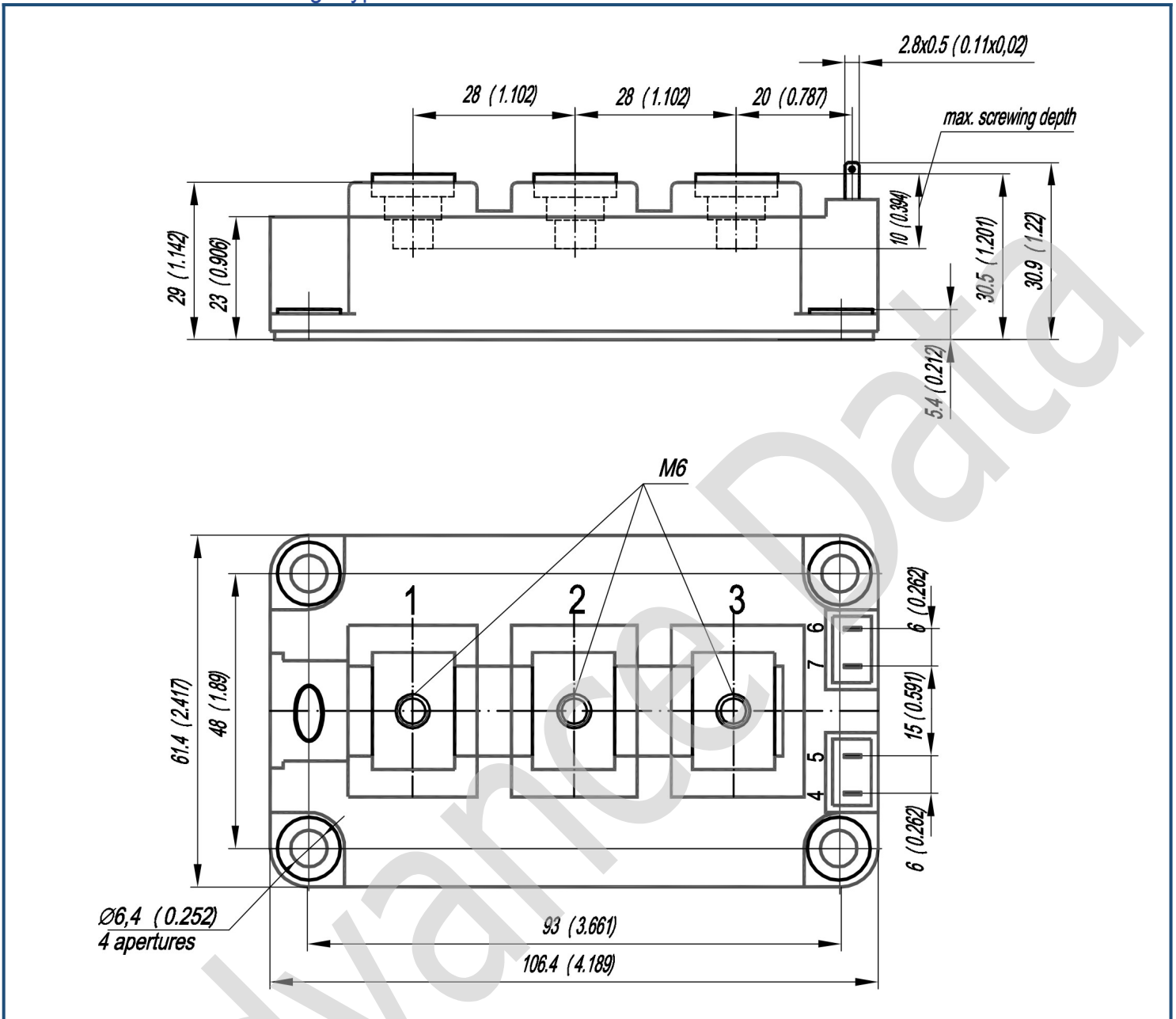
Module							
Pin resistance	$R_{Pxy}$	$T_{vj} = 25^{\circ}\text{C}$ .	$R_{P12}$	-	0.28	0.50	m $\Omega$
			$R_{P13}$	-	0.38	0.50	
Parasitic inductance between terminals	$L_{Pce}$			-	22	-	nH
Thermal resistance case to heatsink	$R_{thCH}$	per module		-	0.02	0.04	K/W
Mounting torque for screws to heatsink	$M_s$	to heatsink M6		3.00	-	5.00	N*m
Mounting torque for terminal screws	$M_t$	to terminals M6		2.25	2.50	2.75	N*m
Weight	$W$			-	320	340	g

" - " — data will be refined as additional tests are conducted and statistics are collected.

**Notes:**

- Insulating material operating temperature 125°C max;
- Case temperature 125°C max;
- The recommended operating junction temperature  $T_{vj\ op} = -40\dots+150^{\circ}\text{C}$ .

Advance Data

**Overall dimensions: Package type – AA**

**Part numbering guide**

MIAA	-	HB	17	AB	-	300	N	
MIAA		HB						IGBT module package type: AA
			17					2 switches as Half-Bridge
				AB				Voltage rating ( $V_{CES}/100$ )
						300		IGBT+FRD chipset modification
								Current Rating
							N	Climatic version: normal climate

The information contained herein is protected by Copyright. In the interest of product improvement, Proton-Electrotex reserves the right to change datasheet without notice.