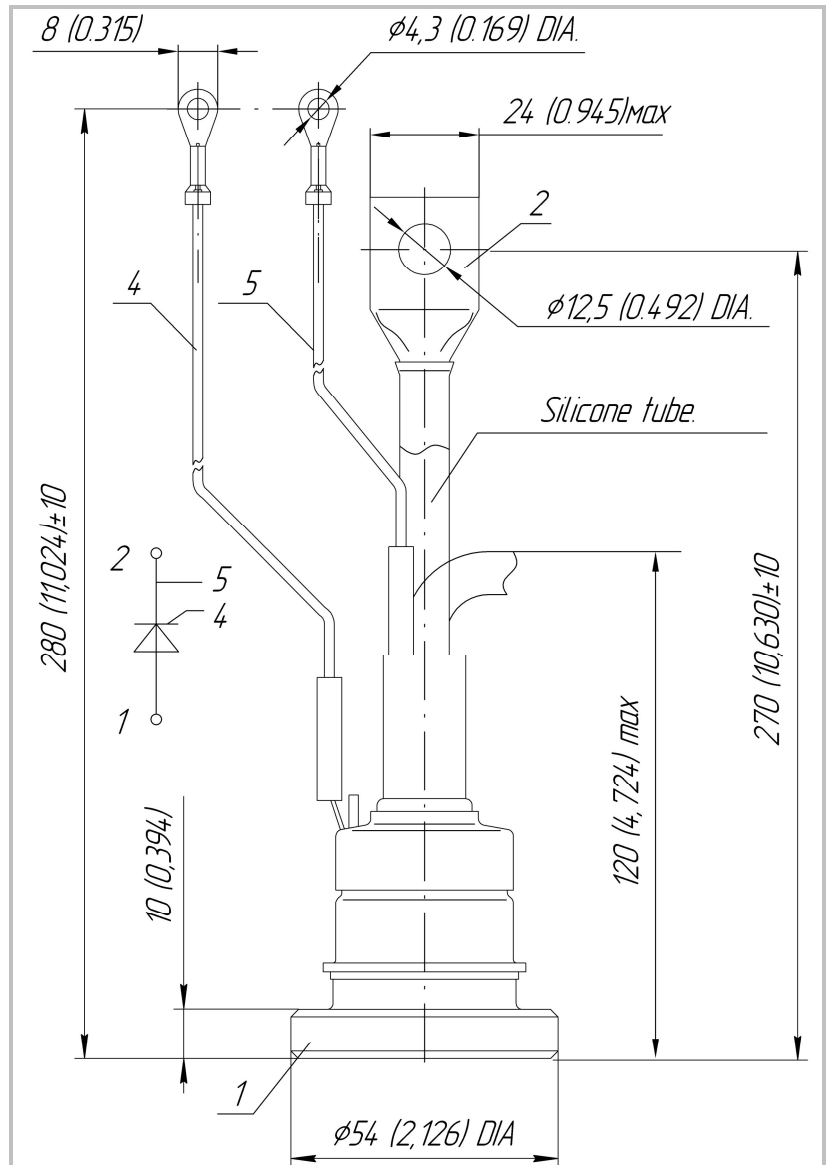




Package Type **T.SB3**

Mounting Force	1.5 ÷ 2.5 Nm
Nominal Weight	500 g

D_s	12.4(4.882)	Surface creepage distance
D_a	12.4(4.882)	Air strike distance



Polarity for the USA customs

Polarity	Example of code designation	Reference designation	Colors		
			Anode	Cathode	Gate
Anode to stud	T395-SB3-18		-	Black tube	White

Polarity for Europe customs (on default)

Polarity	Example of code designation	Reference designation	Colors		
			Anode	Cathode	Gate
Anode to stud	T395-SB3-18		-	Red tube	White

*Please inform us about type of color marking (for the USA or Europe)