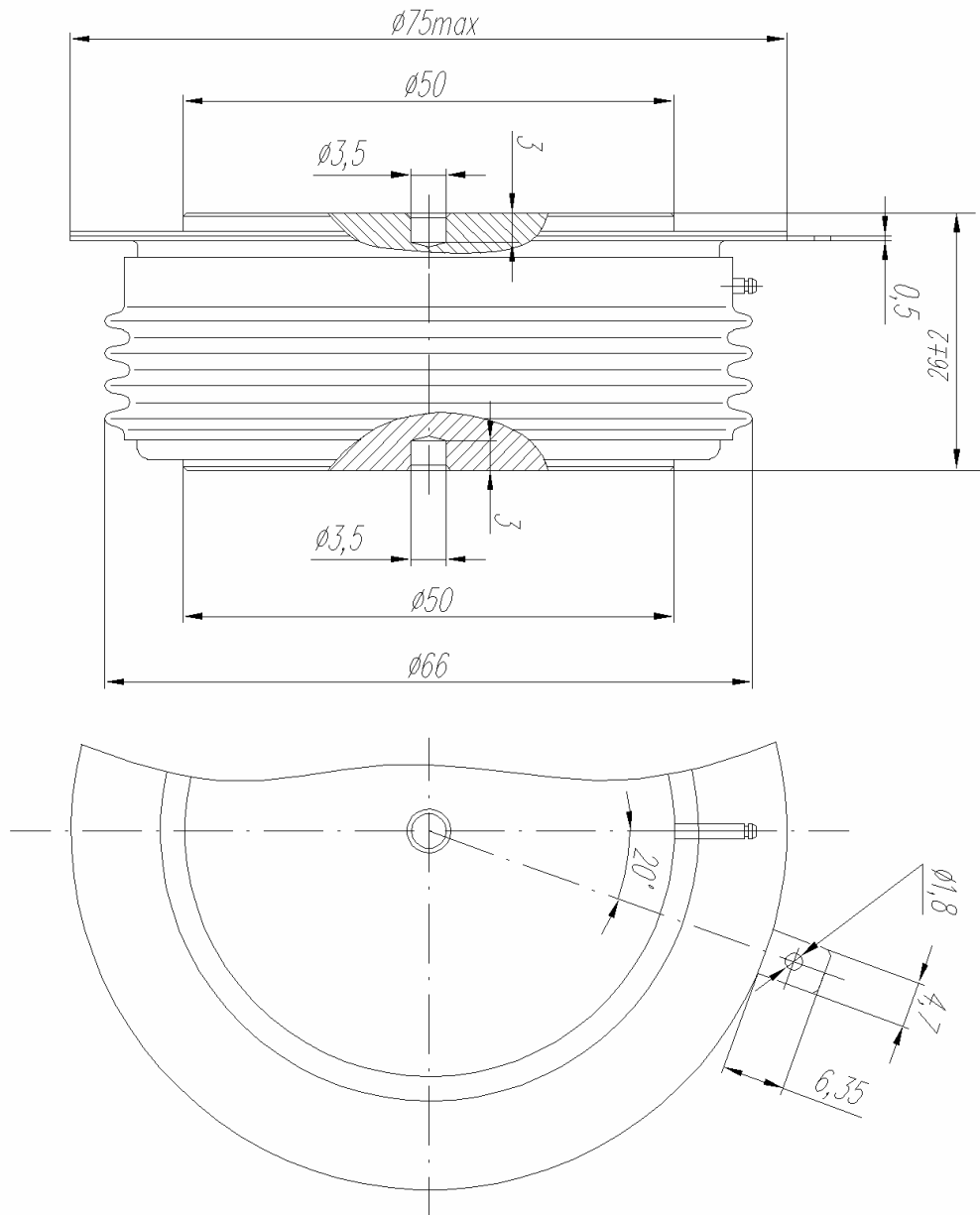




Package Type T.D5

Mounting Force **24.0 ÷ 28.0 kN**

Nominal Weight **510 g**



D_s 31.60 (1.244) *The surface creepage distance is defined as the shortest path along the ceramic surface between the anode flange and the gate contact*

D_a 16.50 (0.649) *The air distance is defined as the shortest direct path between the anode flange and gate contact*