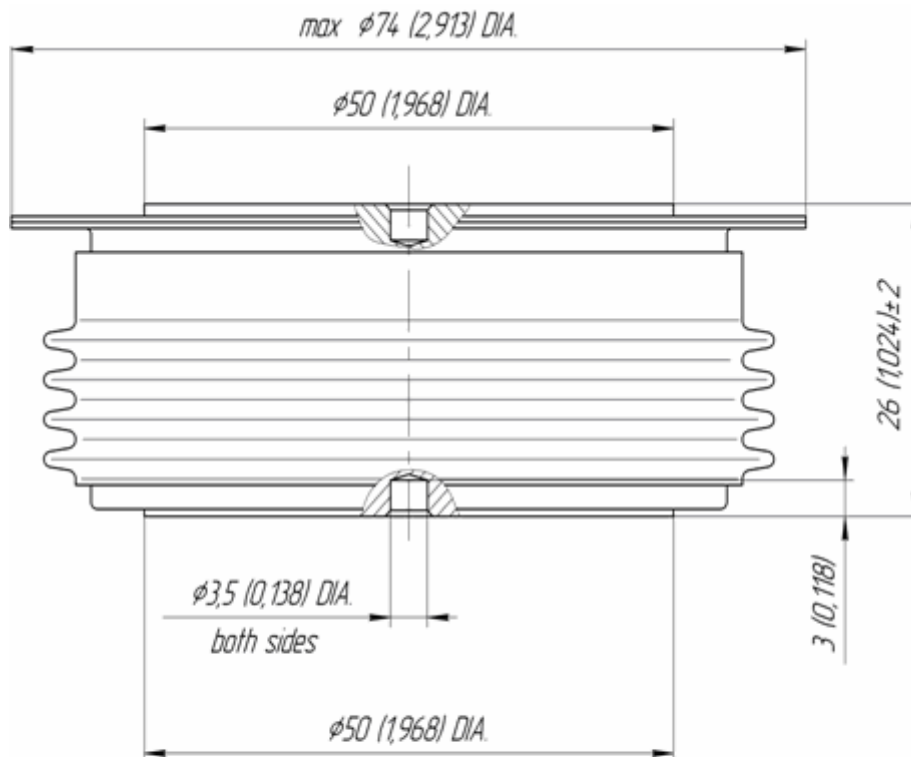




**Package Type** **D.D3**

Mounting Force **24.0 ÷ 28.0 kN**  
Nominal Weight **510 g**



<b>D<sub>s</sub></b>	<b>38.84 (1.529)</b>	<i>The surface creepage distance is defined as the shortest path along the ceramic surface between the anode and cathode flanges</i>
<b>D<sub>a</sub></b>	<b>22.50 (0.886)</b>	<i>The air distance is defined as the shortest direct path between the anode and cathode flanges</i>