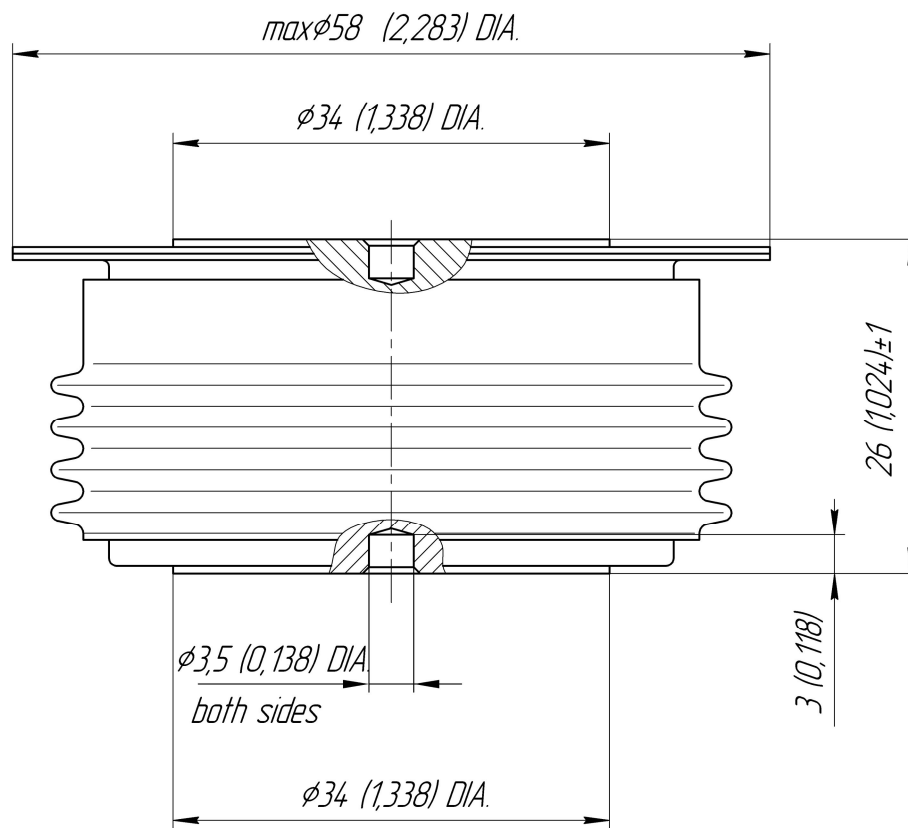




## Package Type **D.C3**

Mounting Force **14.0 ÷ 16.0 kN**

Nominal Weight **280 g**



**D<sub>s</sub> 33.3 (1.311)**

The surface creepage distance is defined as the shortest path along the ceramic surface between the anode and cathode flanges

**D<sub>a</sub> 22.5 (0.886)**

The air distance is defined as the shortest direct path between the anode and cathode flanges