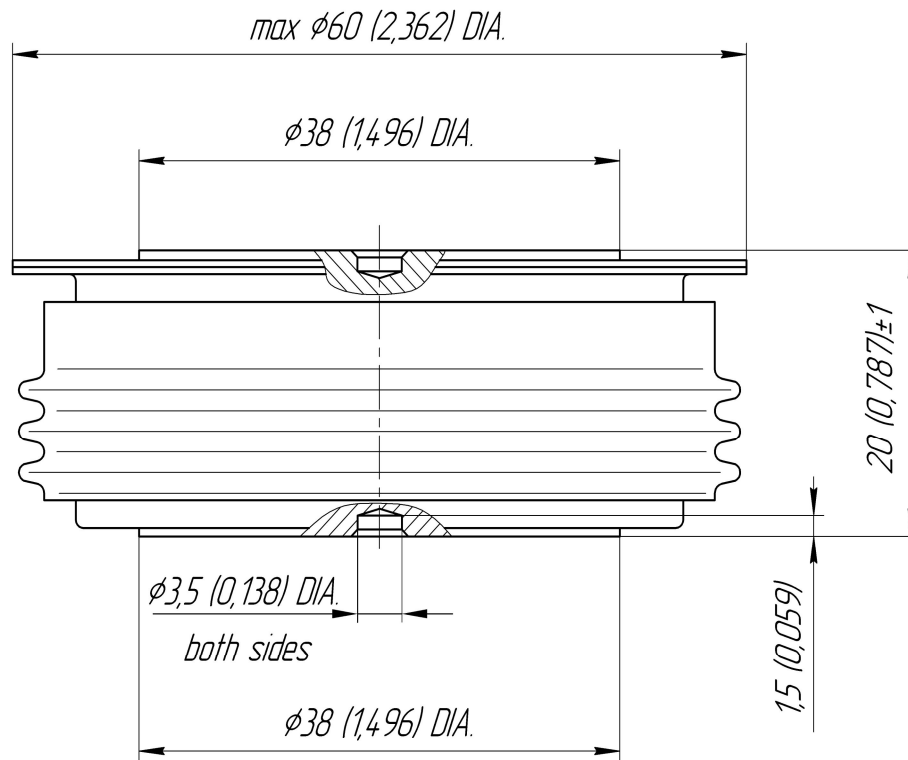




## Package Type **D.C2**

Mounting Force **14.0 ÷ 16.0 kN**  
Nominal Weight **260 g**



**D<sub>s</sub>** **23.69 (0.933)**

*The surface creepage distance is defined as the shortest path along the ceramic surface between the anode and cathode flanges*

**D<sub>a</sub>** **19.10 (0.752)**

*The air distance is defined as the shortest direct path between the anode and cathode flanges*