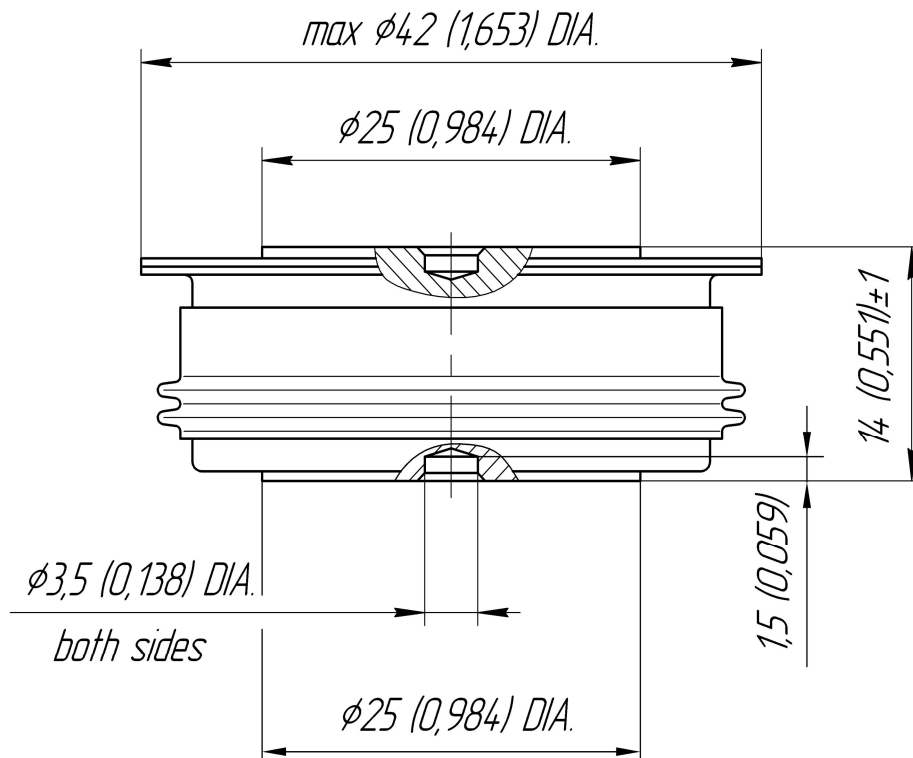




Package Type **D.B1**

Mounting Force **9.0 ÷ 11.0 kN**

Nominal Weight **110 g**



D_s 11.1 (0.437)

The surface creepage distance is defined as the shortest path along the ceramic surface between the anode and cathode flanges

D_a 11.6 (0.457)

The air distance is defined as the shortest direct path between the anode and cathode flanges