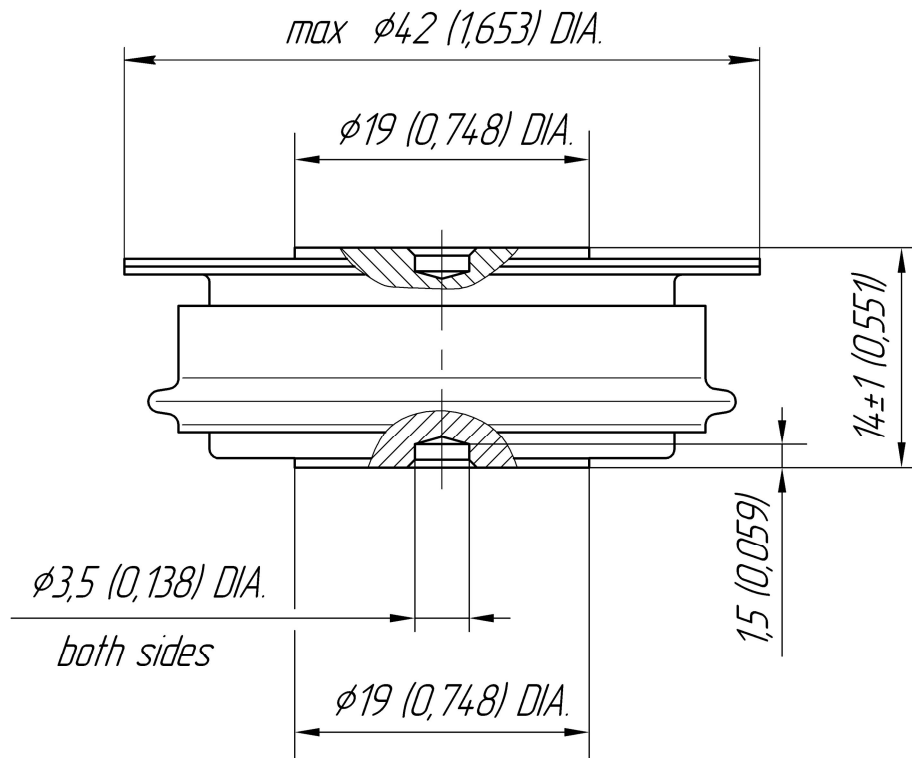




## Package Type **D.A1**

Mounting Force **5.0 ÷ 7.0 kN**

Nominal Weight **65 g**



**D<sub>s</sub> 11.74 (0.462)**

The surface creepage distance is defined as the shortest path along the ceramic surface between the anode and cathode flanges

**D<sub>a</sub> 11.60 (0.457)**

The air distance is defined as the shortest direct path between the anode and cathode flanges