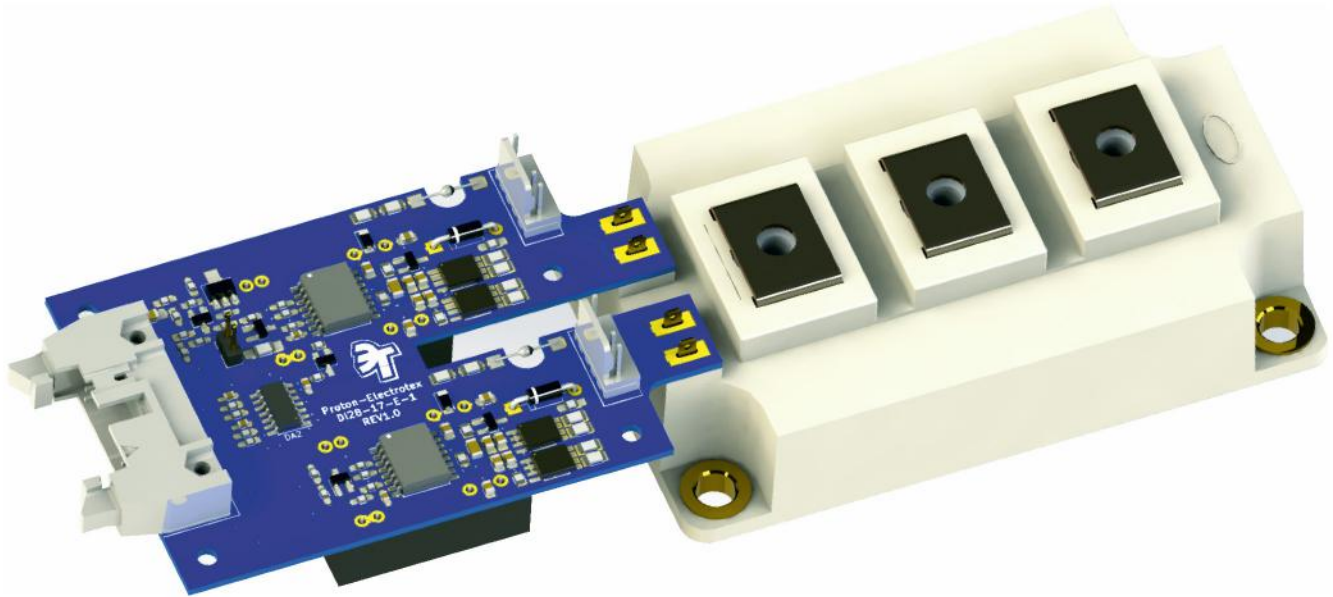




Dual Channel IGBT Driver



Product description

DI28-17-E-1 is a dual channel IGBT plug and play driver, designed specially for 34 & 62 mm IGBT modules with voltage class up to 1.7 kV.

Features

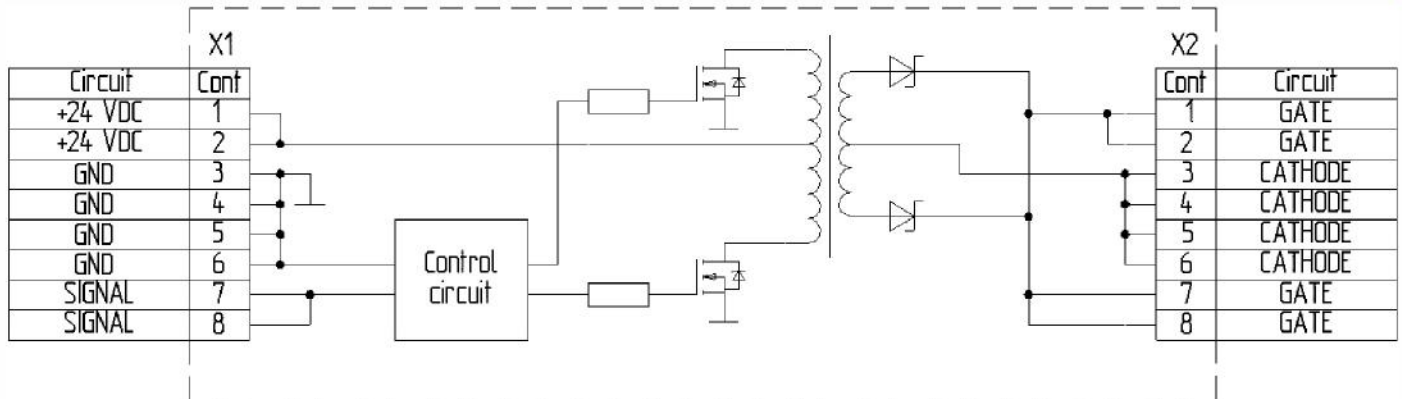
- Dual channel IGBT driver
- Blocking voltage up to 1700 V
- Peak gate current +/-8 A
- Output gate voltage +15/-8 V
- Interface 15 V logic level
- Half bridge and separate mode
- 2 level and multi level topologies
- Dielectric test voltage 4 kV AC
- Isolated DC/DC converter
- Switching frequency up to 15 kHz
- Short circuit protection with soft shut down
- Supply under voltage protection
- Compact design 93x60x25 mm

Typical application

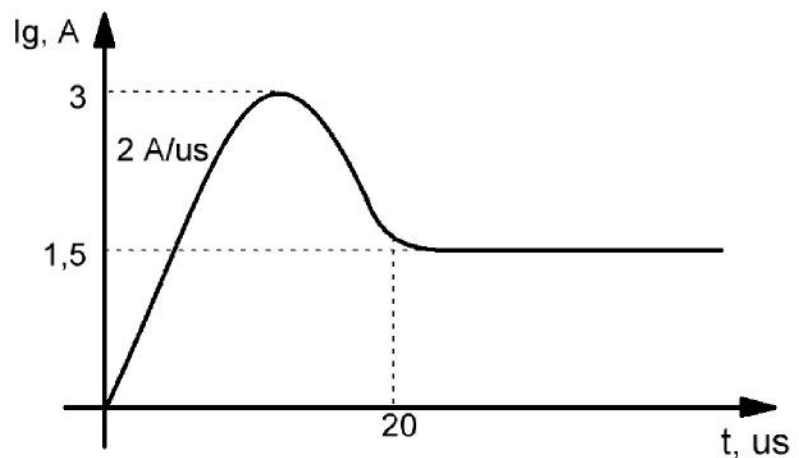
- Solar and wind power converters
- Uninterruptible power supplies (UPS)
- Electric drive vehicles
- Railway
- AC motor drives
- Frequency converters
- Active rectifiers



Block diagram



Typical current form

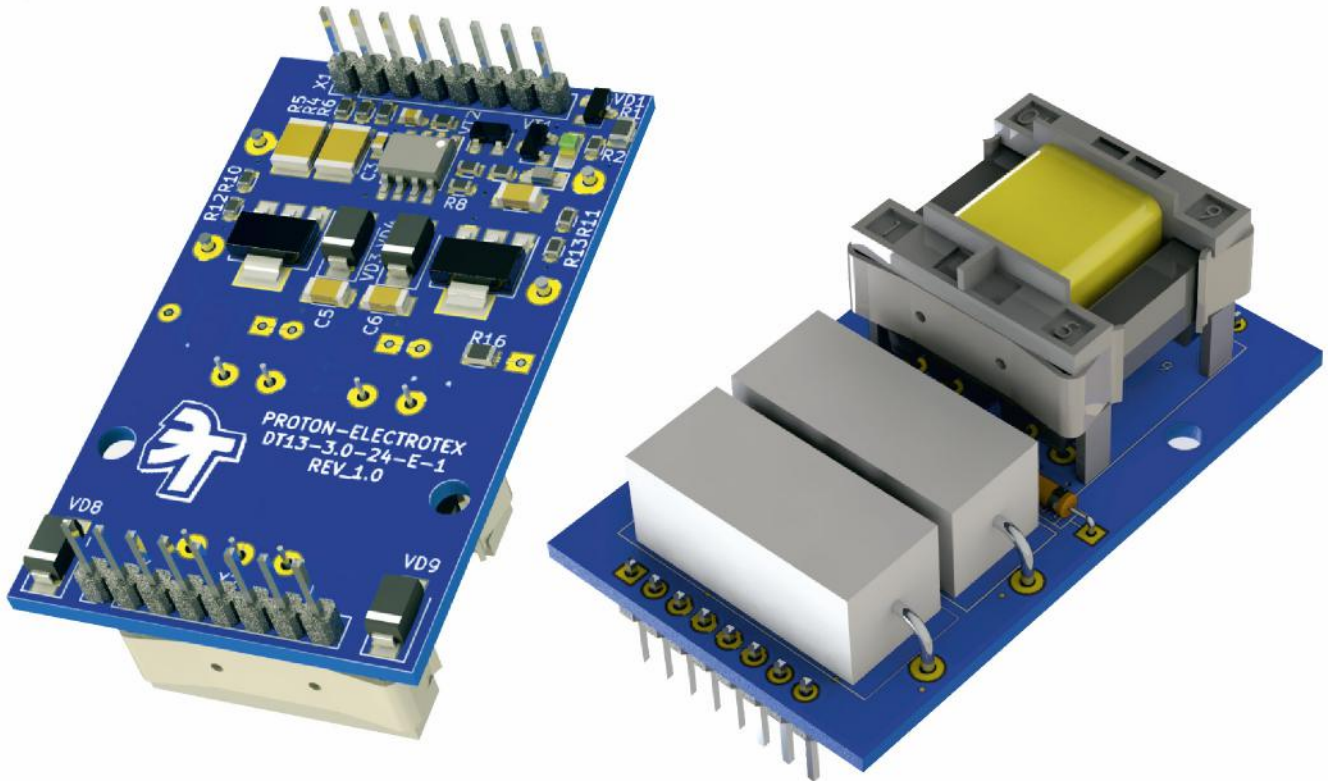


Key data

Parameter	Min	Typ.	Max	Unit
Supply voltage	21.6	24	26.4	V
Turn-on delay			20	μ s
Continuous positive control current	1.0		1.5	A
Trigger current		3.0		A
Rate of rise of current	2.0			A/ μ s
Switching frequency			10	kHz
Turn-on threshold	18			V
Turn-off threshold			8	V
Delay (Min. pause between pulses)	50			μ s
Isolation test voltage input-output	3.0			V _{AC}
Operating temperature	0		+40	$^{\circ}$ C
Storage temperature	-40		+55	$^{\circ}$ C



One Channel Thyristor Driver



Product description

DT13-3.0-24-E-1 is a single-channel thyristor driver designed to control thyristors with a voltage class up to 1.8 kV and current up to 5000 A.

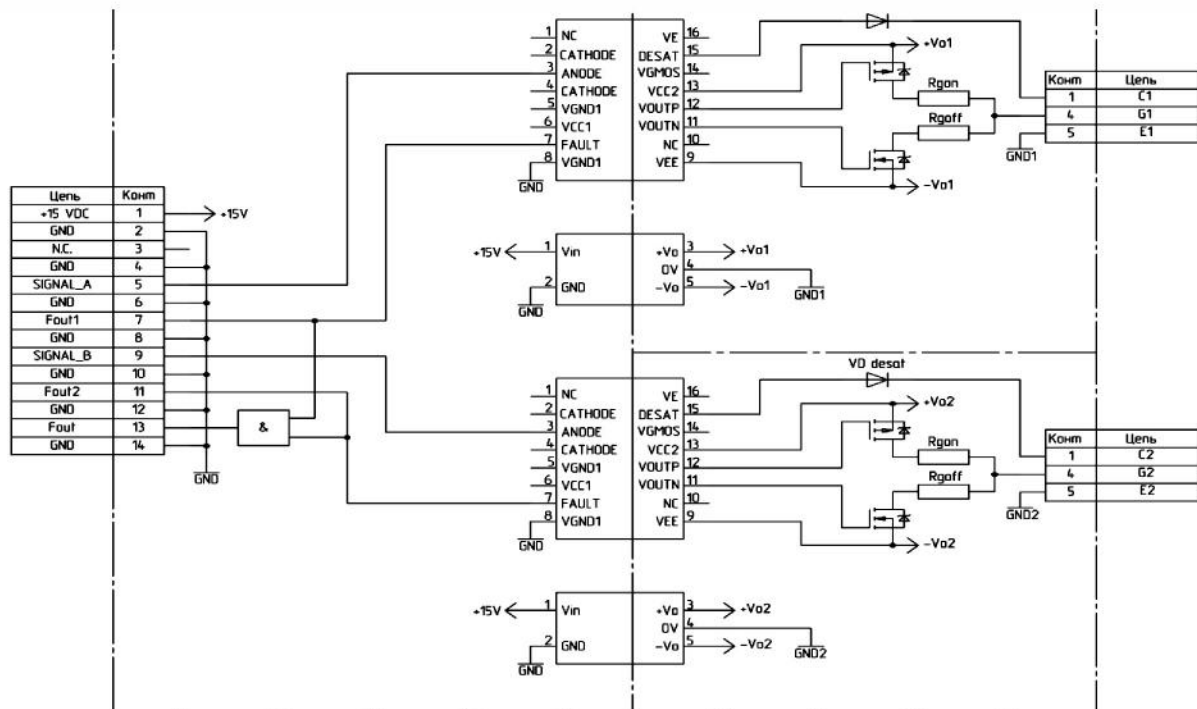
Features

- Single-channel thyristor driver
- Can be soldered directly onto a printed circuit board
- Isolation by transformer
- Dielectric test voltage 3 kV AC
- Made to drive thyristors up to 1.8 kV voltage class
- Ultra compact design 54x32x26 mm
- High output impulse current 3 A

Typical application

- Thyristor switches
- Pulse discharge devices
- Soft starters for asynchronous motors
- Rectifiers

Block diagram



Key data

Parameter	Min	Typ.	Max	Unit
Supply voltage		15		V
Gate voltage		+15/-8		V
Peak output gate current	-8		+8	A
Output power per channel		1.2		W
Turn-on delay			100	ns
Dead time (half bridge mode)		4		μs
Switching frequency			15	kHz
Turn-on threshold	10			V
Turn-off threshold			5	V
dv/dt immunity, input-output	50			kV/μs
Isolation test voltage input-output	4.0			V _{AC}
Operating temperature	-40		+85	°C
Storage temperature	-40		+55	°C